

# T-Rex<sup>2</sup> POST

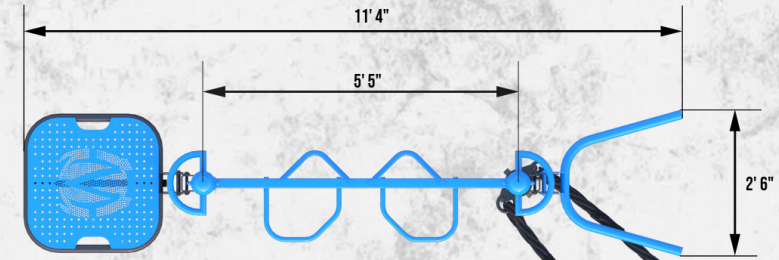
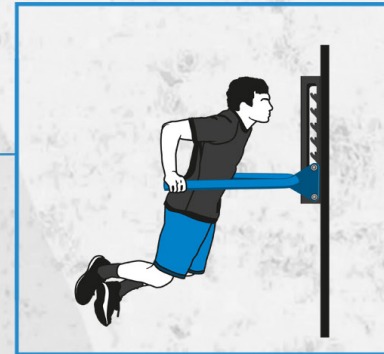
FITNESS STATION™

- 01- Standard Post w' ADJ. Step
- 02- Ergo-Grip Pull-Up Bar
- 03- Standard Post w' ADJ. Dip
- 04- Battle Rope

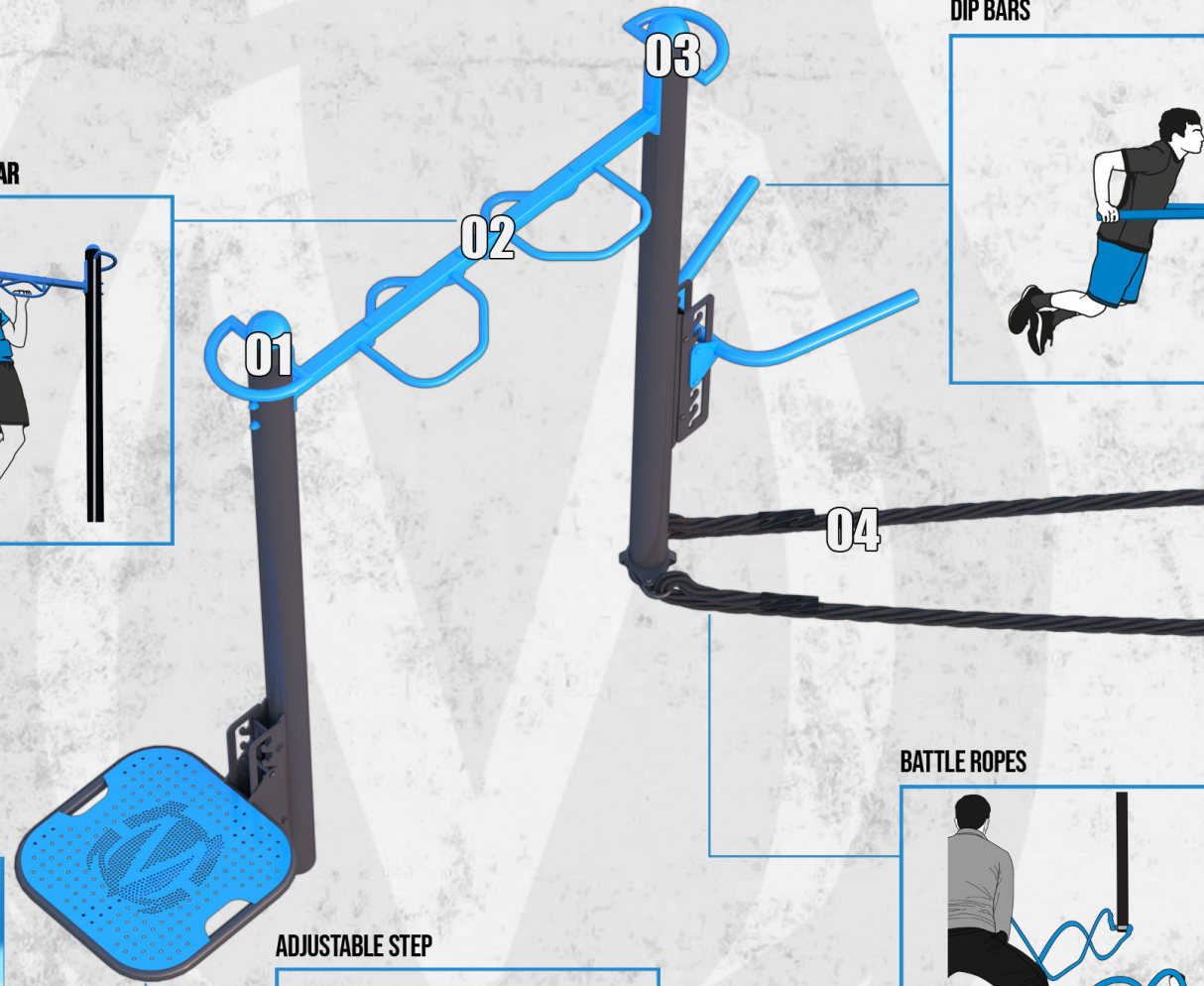
ERGO-GRIP PULL-UP BAR



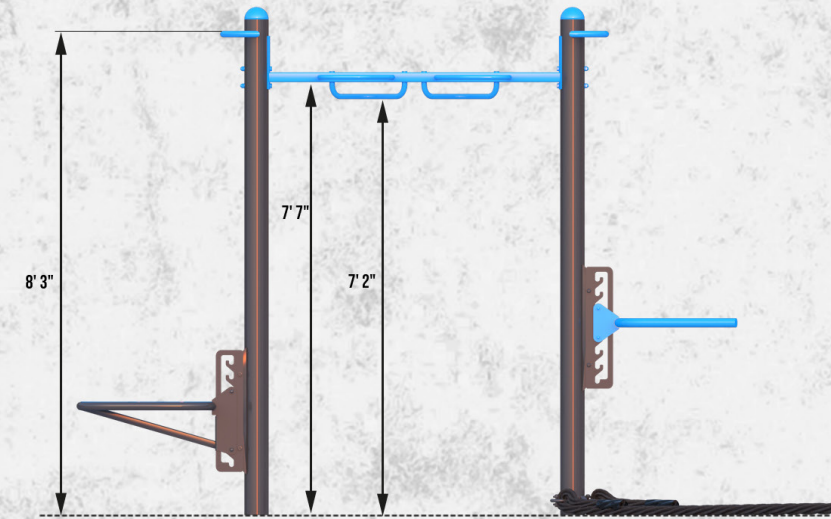
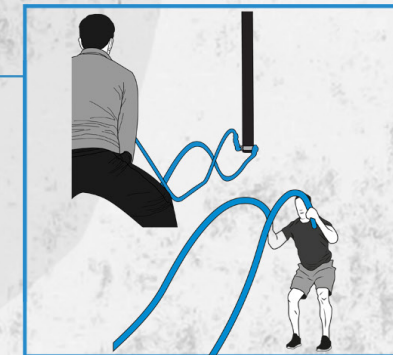
DIP BARS



TOP VIEW

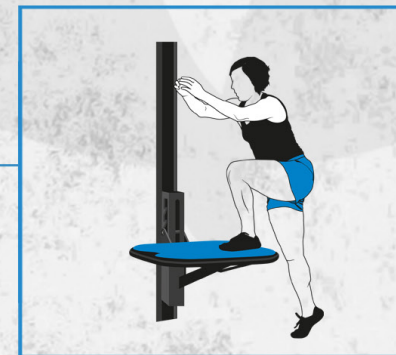


BATTLE ROPES



SIDE VIEW

ADJUSTABLE STEP



**NEW** MOBILE TRAINER

TRY ME

MEET YOUR NEW MOBILE TRAINER

1. LOCATE QR CODE
2. SCAN THE QR WITH YOUR PHONE CAMERA
3. WATCH HOW-TO VIDEOS

<https://movestrongfit.com>

OR SCAN INSTRUCTIONAL DECALS FOR EVERY FITNESS STATION

QR SCAN INSTRUCTIONAL DECALS FOR EVERY FITNESS STATION

MoveStrongFit  
www.MoveStrongFit.com  
MADE IN THE U.S.  
Live Life. Move!  
USE AT YOUR OWN RISK

U.S. Patent No. D941407



# T-Rex 2 POST

FITNESS STATION™

Training Zone

23'

- 01- Standard Post w' ADJ. Step
- 02- Ergo-Grip Pull-Up Bar
- 03- Standard Post w' ADJ. Dip
- 04- Battle Rope

6'

03

01

02

6'

14' 6"

6'

04

6'



**MoveStrong**  
Functional Fitness Equipment  
[www.MoveStrongFit.com](http://www.MoveStrongFit.com)